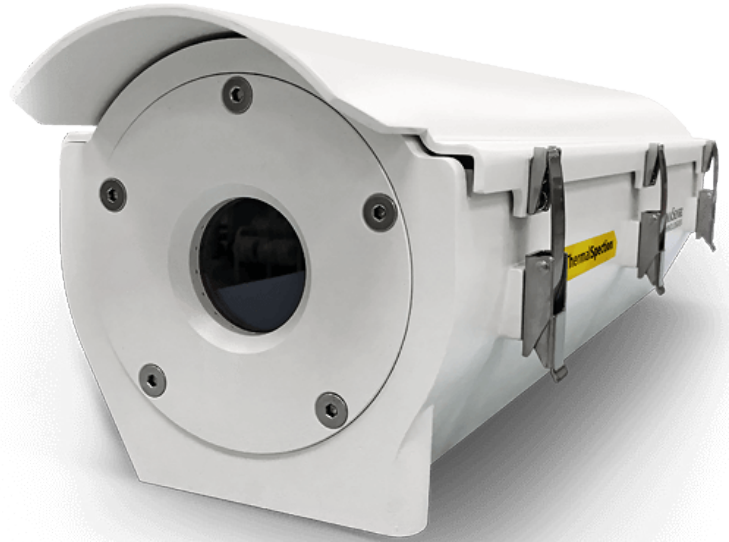


Heavy duty, industrial grade protection for thermal imagers in both outdoor and factory installations.

VC (Vortex Cooled) Enclosure for Thermal Imagers

- Rugged design for outdoor and indoor use in Industry
- Environments -40 to 65 °C (150 °F)
- Integrated Window purge to prevent dust and dirt on the window
- Easy to adjust
- Suitable for Hazardous Areas
- Compatible IR Cameras: M7500, MC320, MCL640, MCS640



The VC Enclosure for Thermal Imagers is designed to protect the cameras from weather and temperature changes, even in hazardous areas.

Robust and reliable for long-term installation, this accessory can be added to the M7500, MC320, MCL640, or MCS640 to ensure the thermal imaging system operates with proper accuracy even when

subjected to high temperatures and direct sunlight.

For operating in colder temperatures, an optional heater is available allowing for operation in temperatures as low as -40 °C.

Area and window purges can also be used if dust and debris is an issue.

Key Features

- Powder coated aluminum enclosure with insulation
- Mount with pivot and rotation adjustment
- Integrated air cooling
- User friendly design for access and ease of installation
- Optional heater
- Window purging inlet
- Inlet and reference ports available for hazardous area purge (optional)



Technical Data

Performance

Temperature ranges:	0 to 65 °C (-40 to 65 °C with optional heater)
Field of View:	Varies with camera (consult with sales)
IP Rating:	IP 66, NEMA 4X

Mechanical

Cooling Air Budget:	15 cfm @ 90-100 psi (1/4" NPT connection)
Heater Power:	100 W
Internal Pressurized Purging:	Minimum required (only used for purge option in hazardous areas)
Housing Material:	Aluminum Alloy (powder coated)
Weight:	approximately 25 lbs (11kg)

Electrical

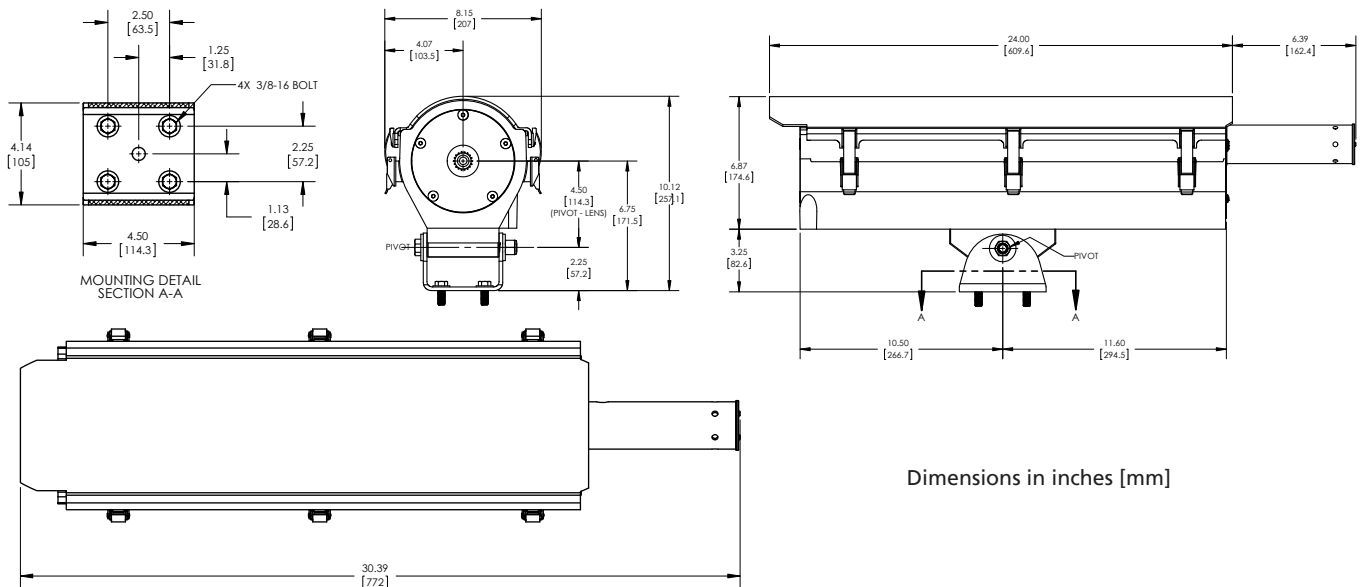
Power Input:	Universal AC standard (DC optional)
Connection:	1/2" NPT port to internal terminal contacts
Communication:	Ethernet, 1/2" NPT for Ethernet cable conduit

Options

Heater:	Included standard (for 120 VAC systems)
Hazardous Area Purge	Available with Type X and Type Z purges certified UL, CSA, and IECEx
Window Purge	Included and use is optional, connection 1/4" NPT

Note: Product specifications are subject to change.

Dimensions



Reference Numbers

Part Number	Compatible Cameras	Window
812-0302-02	MCS640, all lenses	Pyrex, 57 mm (2.25")
812-0302-03	M7500 (11°, 21°, 75° lenses)	AR coated Germanium, 100 mm (4")
812-0302-03	MC320 (11°, 21°, 75° lenses)	
812-0302-05	MCL640 (14°, 26°, 57°, 77° lenses)	
812-0302-01	MC7500 53° lens	AR coated Germanium, 30 mm (1.2")
812-0302-01	MC320 53° lens	

Optional Accessories

- Hazardous Area Purging Kit
- Heater Kit
- Spare Pivot Bracket
- Reconditioning Gasket and Hardware Kit
- Sunshade Kit
- Tool Locking Kit (to replace the quick-release latches)
- Spare Windows



For international contact information, visit advancedenergy.com.

sales.support@aei.com
+1 970 221 0108

PRECISION | POWER | PERFORMANCE

Specifications are subject to change without notice. Not responsible for errors or omissions. ©2019 Advanced Energy Industries, Inc. All rights reserved. Advanced Energy®, Mikron®, and AE® are U.S. trademarks of Advanced Energy Industries, Inc.

ENG-VC enclosure-231-01 4.05