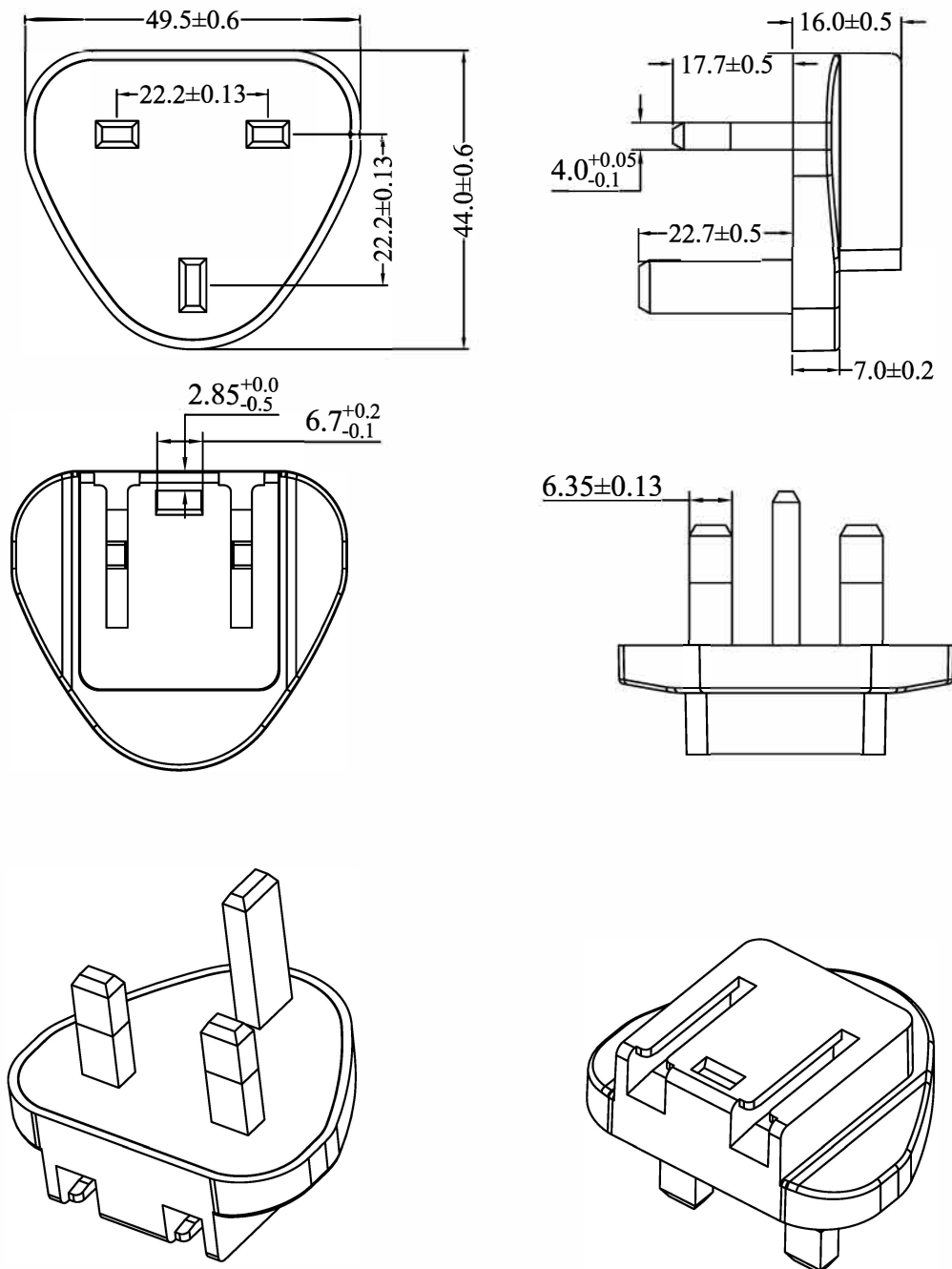




## BSI AC Plug Dimension(unit:mm)



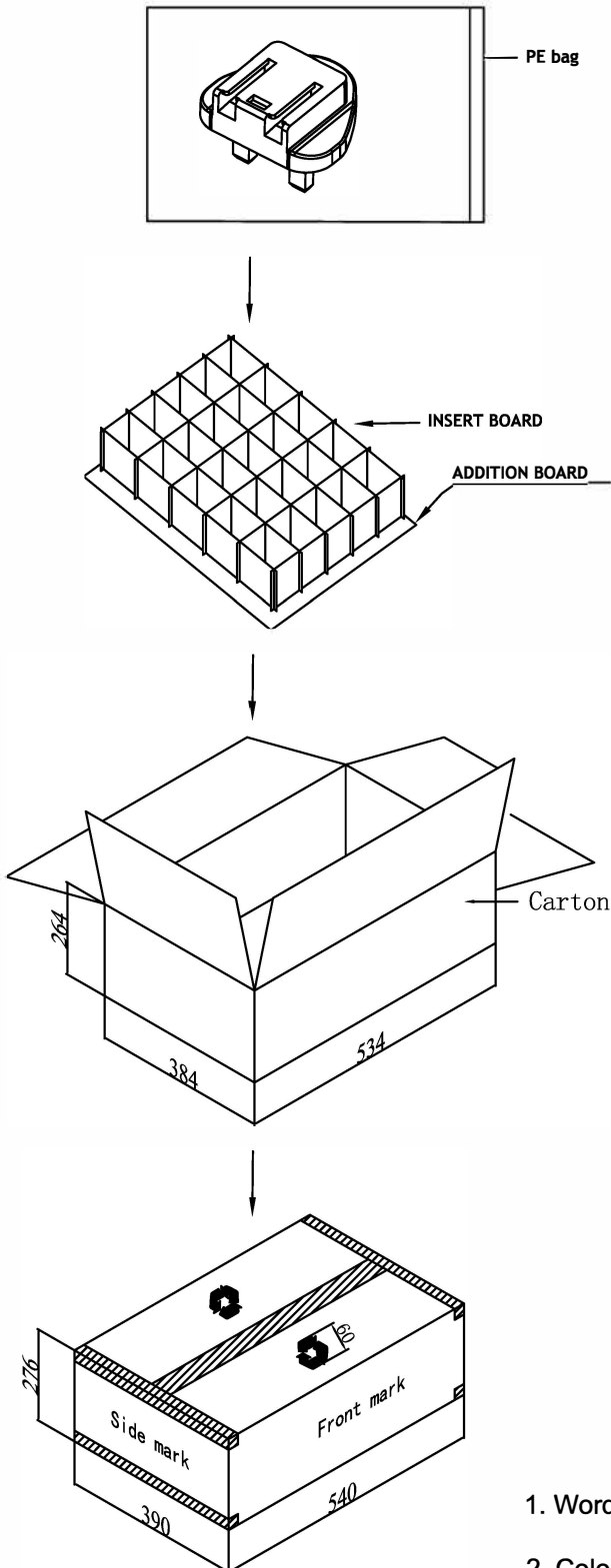
LCP-BSI Plug Black RoHS+RAHS

300300892000(20100351)

Part No.: KT1001UK



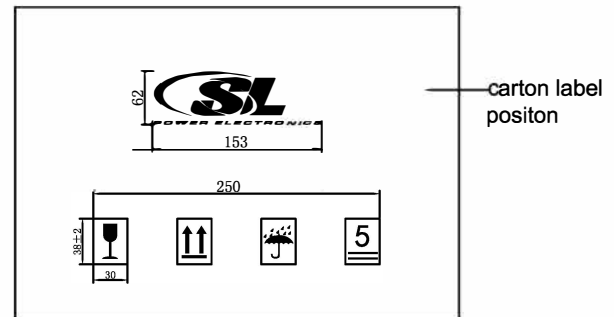
## Package Method(unit:mm)



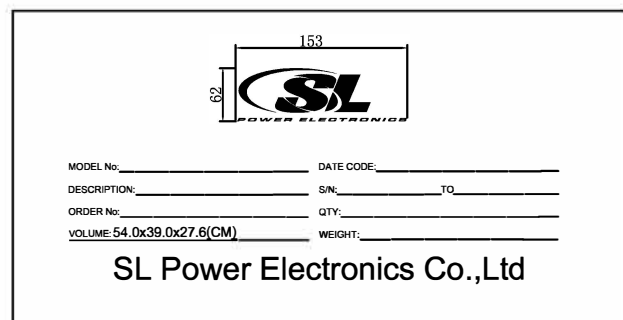
### Technical Requirement:

1. Carton: 2 layers wall, 6mm thickness.  
Outline dimension: 540mm × 390mm × 276mm
2. Additional board:  
3 mm thickness  
3 pieces per carton.
3. Humidity protector:  
Each plug packed in a small PE bag.  
All plugs packed in a big PE bag with an outer carton.
4. Quantity:  
2 layers per carton.  
200 pcs. per layer.  
400 pcs. per carton.
5. Weight:  
Each carton approx. 11.4 kg gross.  
Each carton approx. 9.2 kg net.

### Side mark



### Front mark



1. Words: SL Electronics Co.,Ltd. is Arial, 20mm high  
Other words is Arial, 13mm high
2. Color: Recycle logo 60mm high, center position;  
words & logo is black.